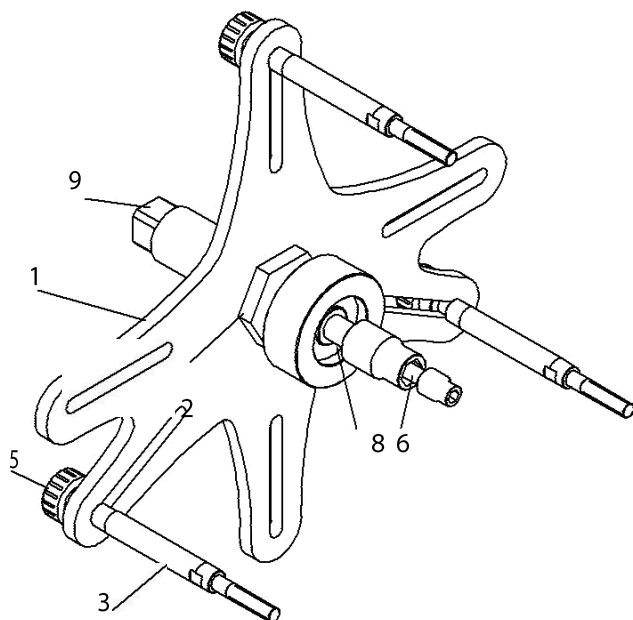


The Dragon Wrench: Instructions for Use

Clutch replacement should begin by determining whether the number of the fixing screws is a multiple of 3 or 4. Depending on the type, unscrew 3 screws at intervals of 120° or 4 at intervals of 90°.



Insert our pins (3) in the resulting spaces. Pins should be selected from the set according to the thread size.

Mount the discs of the instrument (1) on the pins (3) and fix with the nuts (5) from the toolkit. Then tighten the compression spring by turning the press bolt (9). The bolt should be tightened until a noticeable release. Then remove the remaining clamping screws and the disc. After unscrewing all screws, remove the press bolt (9) and remove the instrument.

This clutch disassembly method is recommended in case you plan to reuse the clamp; if you are replacing the whole clutch and do not want to reuse to clamp, disassembly can be conducted in a traditional way.

Begin assembly by selecting 2 wrench sockets:

one to the diameter of the centre hole (in the clutch shaft), and the other to the hub of the clutch disc. The socket matched to the diameter of the centre hole should be mounted on the pin (6), the socket matching the hub of the clutch disc should be mounted on the pin (8) and placed inside of the clutch disc; then everything should be installed on the flywheel.

Mount the clamp, screw in the pins (3) from the toolkit, and insert the disc of the instrument (1) on the pins. Tighten the compression spring as before, until a noticeable release. If assembled correctly, the clamp should move against the flywheel and then you can tighten it with the screws.

Detach the pins and replace them with the remaining screws. The tightening torque of screws should be checked with the manufacturer's recommendations.



This method of assembly guarantees that the clutch is mounted correctly and will not cause problems. The "Dragon" Toolkit is a patented, universal toolkit for clutches now available on the market; the disc made of special steel ensures its durability; one universal disc instead of two and a centring method with the use of wrench sockets make the set exceptionally versatile.

The toolkit is covered by a Lifetime Manufacturer's Warranty.*

*The manufacturer reserves the right to introduce changes and improvements in design and production, which results in a reduced warranty period. All rights reserved - registered design.