

Service handle for steering gearboxes

HERCULA

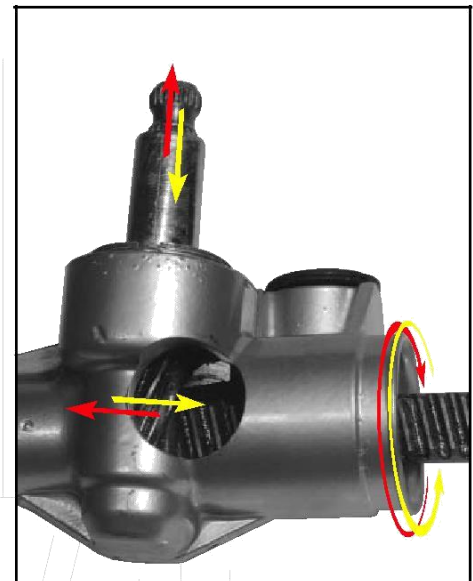


Service handle Hercula 02C:

- supports all gearboxes with rods up to 43 mm in diameter,
- made from materials of the highest quality, including high-strength steel and chrome-vanadium steel,
- has a lifetime manufacturer's warranty.

When replacing the steering rod in gearboxes with gear racks, there is often damage as a result of overloads of racks and bearing due to the forces arising from the torque required to loosen or tighten the rod.

The service handle HERCULA allows you to replace steering rods without removing the gearbox from the car and without the fear of damage to the gearbox.



HERCULA is inserted on the gear rack and fixed by tightening the square 1/2" screw. Depending on the car type and the available space, blocking of the rack rotation is carried out via conventional square 1/2" knobs. After tightening the rod with the correct torque the handle is released and removed from the rack.



TECHNICAL DATA:

- weight: 0.79 kg, height with the square: 75 mm,
- supports gearboxes with rods up to 43 mm in diameter,
- high-strength/stainless, nickel-plated steel.